

VSP-UHO-POE-10 PoE outdoor housing IK10, heater, blower



The PoE camera housing is a smartly styled enclosure that enables you to use a DINION camera in an outdoor or indoor environment, or in areas where the camera needs to be protected.

This housing is supplied with power via the PoE Ethernet connection or, alternatively, via a separate a 12 VDC power supply.

Functions

Easily installed

The unique, hinged, side-opening design in the housing provides easy access to the camera/lens controls when mounting. Tamper-resistant screws for the locking clasps prevent unauthorized access to the housing. Mounting holes on the base of the housing allow maximum mounting flexibility to fixed, swivel and tilt head bracket mounts.

Rugged

With a sleek design that meets IP67, IK10, and NEMA 4X standards, the PoE housing is the ideal solution for protecting your video surveillance equipment from adverse elements.

Connections

A single cable gland (M25 x 1.5) in the foot of the housing allows a seal-tight connection for Ethernet (PoE) power, and optionally, 12 VDC and alarm or audio cables. The housing and camera are powered via a PoE Ethernet cable or, in the absence of PoE, via an external 12 VDC power supply routed through the housing power supply.



- ▶ Protects camera/lens combinations up to 268 mm (10.6 inch) in length
- ▶ Hinged side opening for easy installation and camera setup
- ▶ PoE power input for single cable installation
- ▶ Stylish and sturdy housing (IP67; IK10; NEMA 4x)
- ▶ Heater

Regulatory information

Standards	EN 55032: 2015
	EN 50130-4: 2011+ A1: 2014
	EN IEC 63000: 2018

Region	Regulatory compliance/quality marks	
Europe	CE	
USA	UL	UL-US-2012996-0
Great Britain	UKCA	

Installation/configuration notes

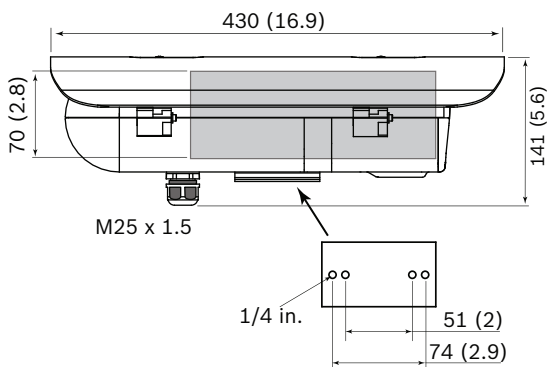
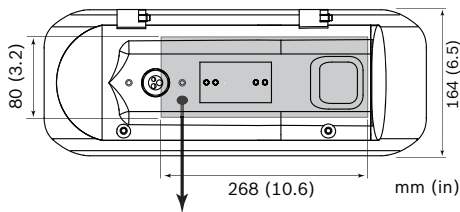


Fig. 1:



Max. camera/lens size (H x W x D):
70 x 80 x 268 mm (2.8 x 3.2 x 10.6 in)

*For use with an LLDP enabled switch the UHO-POE-10 must be used with a Bosch IP camera with firmware 6.43 or higher and additional power must be assigned in the camera's network settings.

Parts included

Quantity	Component
1	Unit

Technical specifications

Electrical

Power supply	Power-over-Ethernet Plus (PoE+) IEEE 802.3at ¹ , 48 VDC nominal; or 12 VDC (switchable)
Power consumption (housing only)	14 W max.
Power handling (housing + camera)	25.5 W max.

*Some switches are following IEEE 802.3-2015; port overcurrent protection can apply. Depending on tolerances in the power source equipment, this can cause a power failure on the port at startup.

Bosch NPD-6001B midspan can be recommended as power source.

* UHO-PoE implements class level negotiation by signature, LLDP power negotiation is not supported.

Mechanical

Dimensions (H x W x L)	141 x 164 x 430 mm (5.6 x 6.5 x 16.9 in.) including sunshield
Weight	2.2 kg (4.9 lb)

Construction	Aluminum casing, silicone gaskets, all stainless steel hardware
Color	Gray
Window	3 mm (0.12 in) polycarbonate
Locking clasps	Tamper-resistant screws provided
Camera mounting	Removable camera/lens tray, mounted with two screws
Max. camera + lens size (H x W x L)	70 x 80 x 268 mm (2.8 x 3.2 x 10.6 in)
Mounting holes	2x pair of 1/4-20 tapped holes inner pair: 51 mm (2.0 in) center-to-center outer pair: 74 mm (2.9 in) center-to-center

Environmental

Operating temperature - external	-30 °C to +55 °C (-22 °F to +131 °F)
Operating temperature - internal ¹	-20 °C to +55 °C (-4 °F to +131 °F)
Enclosure protection ²	IP67, IK10 (polycarbonate window included), NEMA 4X
NEMA TS 2-2003 (R2008), para 2.1.5.1 using fig. 2.1 test profile	-34 °C to +74 °C (-30 °F to +165 °F)

¹ refer to camera specification to ensure compliance with internal temperature limits

² for extreme environments, refer to the Bosch Extreme product range

Ordering information

VSP-UHO-POE-10 PoE outdoor housing IK10, heater, blower

Outdoor camera housing with PoE+ power supply; IK10. Order number **VSP-UHO-POE-10**

Accessories

LTC 9215/00 Wall mount with cable feed through, 12"
Wall mount for camera housing, cable feed-through, 30 cm (12 in); for outdoor use.
Order number **LTC 9215/00**

LTC 9215/00S Wall mount for UHI/UHO
Wall mount for camera housing, cable feed-through, 18 cm (7 in); for indoor use.
Order number **LTC 9215/00S**

LTC 9219/01 Feed through J mount
J-mount for camera housing, 40 cm (15 in); for indoor use.
Order number **LTC 9219/01**

LTC 9213/01 Pole mount adapter for LTC9210,9212,9215

Flexible pole mount adapter for camera mounts (use together with the appropriate wall mount bracket). Max. 9 kg (20 lb); 3 to 15 inch diameter pole; stainless steel straps

Order number **LTC 9213/01**

LTC 9225/00 Pole mount bracket, 45KG/100lb max load

Pole mount for camera housing for 25-inch, light gray finish.

Order number **LTC 9225/00**

TC9311PM3T Installation tool for pole mount

Installation tool for TC9311PM3, LTC 9213 & LTC 9225 pole mount adapters.

Order number **TC9311PM3T**



<https://www.boschsecurity.com>