

UHO-POE-10 Outdoor housing, POE+ power supply

www.boschsecurity.com



BOSCH

Invented for life



- ▶ Protects camera/lens combinations up to 268 mm (10.6 inch) in length
- ▶ Stylish and sturdy housing (IP67; NEMA 4x)
- ▶ PoE power input for single cable installation
- ▶ Hinged side opening for easy installation and camera setup
- ▶ Heater

The PoE camera housing is a smartly styled enclosure that enables you to use a DINION camera in an outdoor or indoor environment, or in areas where the camera needs to be protected.

This housing is supplied with power via the PoE Ethernet connection or, alternatively, via a separate a 12 VDC power supply.

System overview

Secure

The sturdy housing design meets IP67 and NEMA 4X standards to protect your video surveillance equipment from adverse elements. A built-in heater and fan keep the internal temperature of the housing within the specified operating temperatures, and also keep the housing window clear in high humidity and icy conditions. A sunshield is fitted to the top of the housing.

Functions

Easily installed

The unique, hinged, side-opening design in the housing provides easy access to the camera/lens controls when mounting. Tamper-resistant screws for the locking clasps prevent unauthorized access to the

housing. Mounting holes on the base of the housing allow maximum mounting flexibility to fixed, swivel and tilt head bracket mounts.

Rugged

With a sleek design that meets IP67 and NEMA-4X standards, the PoE housing is the ideal solution for protecting your video surveillance equipment from adverse elements.

Connections

A single cable gland (M25 x 1.5) in the foot of the housing allows a seal-tight connection for Ethernet (PoE) power, and optionally, 12 VDC and alarm or audio cables. The housing and camera are powered via a PoE Ethernet cable or, in the absence of PoE, via an external 12 VDC power supply routed through the housing power supply.

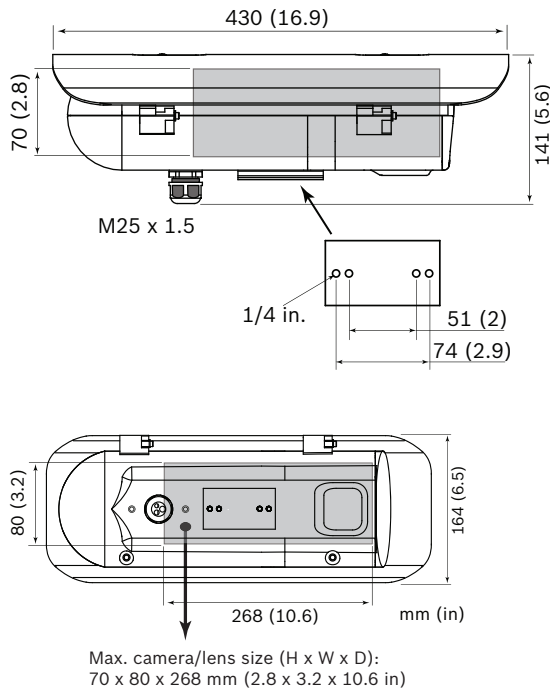
Certifications and approvals

Safety	acc. to EN 60065-1 (CE)
Immunity	acc. to EN 50130-4 (CE)
Emission	acc. to EN 55022 class B (CE) acc. to EN 61000-3-2 (CE); EN 61000-3-3 (CE) acc. to FCC CFR 47 Part 15, Class B

2 | UHO-POE-10 Outdoor housing, POE+ power supply

Region	Regulatory compliance/quality marks	
Europe	CE	F01U300502_KOE102
USA	UL	
	FCC	

Installation/configuration notes



*For use with an LLDP enabled switch the UHO-POE-10 must be used with a Bosch IP camera with firmware 6.43 or higher and additional power must be assigned in the camera's network settings.

Parts included

Quantity	Component
1	Unit

Technical specifications

Mechanical

Dimensions (H x W x L)	141 x 164 x 430 mm (5.6 x 6.5 x 16.9 in.) including sunshield
Weight	2.2 kg (4.9 lb)
Construction	Aluminum casing, silicone gaskets, all stainless steel hardware
Color	Gray
Window	3 mm (0.12 in) glass
Locking clasps	Tamper-resistant screws provided
Camera mounting	Removable camera/lens tray, mounted with two screws

Max. camera + lens size (H x W x L)	70 x 80 x 268 mm (2.8 x 3.2 x 10.6 in)
Mounting holes	2x pair of 1/4-20 tapped holes inner pair: 51 mm (2.0 in) center-to-center outer pair: 74 mm (2.9 in) center-to-center

Electrical

Power supply	Power-over-Ethernet Plus (PoE+) IEEE 802.3at, 48 VDC nominal; or 12 VDC (switchable)
Power consumption (housing only)	14 W max.
Power handling (housing + camera)	25.5 W max.

Environmental

Operating temperature - external	-30 °C to +50 °C (-22 °F to +122 °F)
Operating temperature - internal ¹	-20 °C to +50 °C (-4 °F to +122 °F)
Enclosure protection ²	IP67, NEMA-4X
NEMA TS 2-2003 (R2008), para 2.1.5.1 using fig. 2.1 test profile	-34 °C to +74 °C (-30 °F to +165 °F)

¹ refer to camera specification to ensure compliance with internal temperature limits

² for extreme environments, refer to the Bosch Extreme product range

Ordering information

UHO-POE-10 Outdoor housing, POE+ power supply
Outdoor camera housing with PoE+ power supply.
Order number **UHO-POE-10**

Accessories

LTC 9215/00 Wall mount with cable feed through, 12"

Wall mount for camera housing, cable feed-through, 30 cm (12 in); for outdoor use.

Order number **LTC 9215/00**

LTC 9215/00S Wall mount for UHI/UHO

Wall mount for camera housing, cable feed-through, 18 cm (7 in); for indoor use.

Order number **LTC 9215/00S**

LTC 9219/01 Feed through J mount

J-mount for camera housing, 40 cm (15 in); for indoor use.

Order number **LTC 9219/01**

LTC 9213/01 Pole mount adapter for

LTC9210,9212,9215

Flexible pole mount adapter for camera mounts (use together with the appropriate wall mount bracket). Max. 9 kg (20 lb); 3 to 15 inch diameter pole; stainless steel straps

Order number **LTC 9213/01**

LTC 9225/00 Pole mount bracket, 45KG/100lb max load

Pole mount for camera housing for 25-inch, light gray finish.

Order number **LTC 9225/00**

TC9311PM3T Installation tool for pole mount

Installation tool for TC9311PM3, LTC 9213 & LTC 9225 pole mount adapters.

Order number **TC9311PM3T**

Represented by:

Europe, Middle East, Africa:

Bosch Security Systems B.V.
P.O. Box 80002
5600 JB Eindhoven, The Netherlands
Phone: + 31 40 2577 284
emea.securitysystems@bosch.com
emea.boschsecurity.com

Germany:

Bosch Sicherheitssysteme GmbH
Robert-Bosch-Ring 5
85630 Grasbrunn
Germany
www.boschsecurity.com

North America:

Bosch Security Systems, Inc.
130 Perinton Parkway
Fairport, New York, 14450, USA
Phone: +1 800 289 0096
Fax: +1 585 223 9180
onlinehelp@us.bosch.com
www.boschsecurity.us

Asia-Pacific:

Robert Bosch (SEA) Pte Ltd, Security Systems
11 Bishan Street 21
Singapore 573943
Phone: +65 6571 2808
Fax: +65 6571 2699
apr.securitysystems@bosch.com
www.boschsecurity.asia