

NDA-8002-IC In-ceiling mount kit



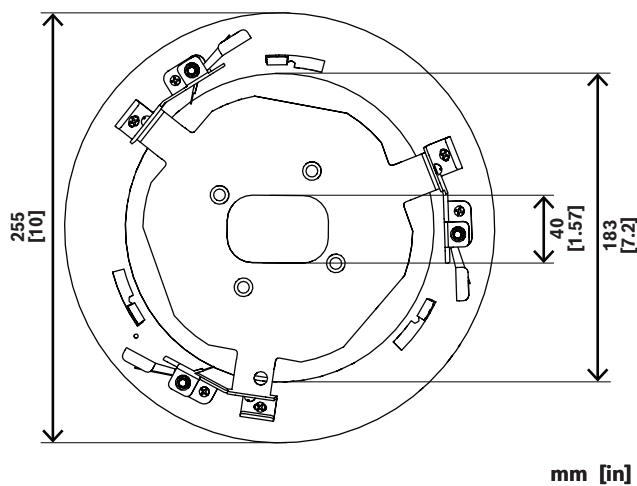
The in-ceiling mount kit with microphone support for use with FLEXIDOME 8000i and FLEXIDOME 8100i cameras.

Regulatory information

Environmental

Vibration	IEC 60068-2-6
Shock	IEC 60068-2-27
Impact	IK04

Installation/configuration notes



mm [in]

- ▶ Corrosion-resistant finish
- ▶ Easy installation

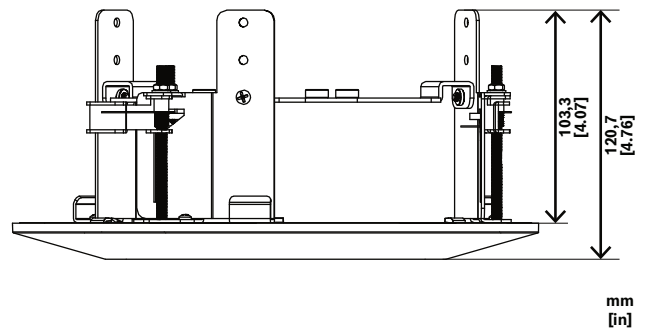


Fig. 1: NDA-8002-IC IR

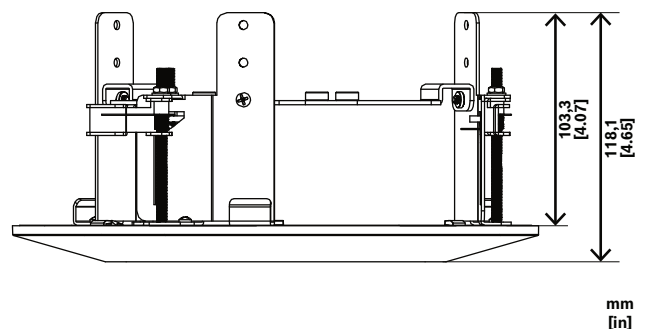


Fig. 2: NDA-8002-IC Non-IR
Dimensions in mm (inch)

Parts included

Quantity	Component
1	Mount kit

Quantity	Component
1	IR decoration plate
4	M6 x 10 mm T25 screw
1	Mounting template sticker
1	Quick installation guide

Technical specifications

Mechanical

Dimensions (Ø x H) (mm) IR	255 mm x 120.7 mm
Dimensions (Ø x H) (in) IR	10 in x 4.76 in
Dimensions (Ø x H) (mm) Non-IR	255 mm x 118.1 mm
Dimensions (Ø x H) (in) Non-IR	10 in x 4.65 in
Weight (kg)	1.07 kg
Weight (lb)	2.36 lb
Material	Steel; Polycarbonate
Color (RAL)	RAL 9003 Signal white (decoration plate)
Mounting type	Ceiling-mounted

Ordering information

NDA-8002-IC In-ceiling mount kit

In-ceiling mount kit with microphone support for FLEXIDOME 8000i and FLEXIDOME 8100i cameras.

Order number **NDA-8002-IC**



<https://www.boschsecurity.com>