

NDA-8000-WPIR On-camera weather protector IR



The NDA-8000-WPIR is a weather protector accessory for shielding a direct wall or pole mounted camera against harsh weather conditions such as rain, snow and direct sunlight, reducing the risk of damage and minimizing the camera's maintenance.

The weather protector has a black underside design that stops any glare and reflections, enabling superior imaging, particularly in challenging light conditions where infrared illumination is used. The white coating on the outer surface of the weather protector shields the underlying plastic from harmful UV rays reducing yellowing and degradation over time, extending its lifespan.

The NDA-8000-WPIR is compatible with the following cameras:

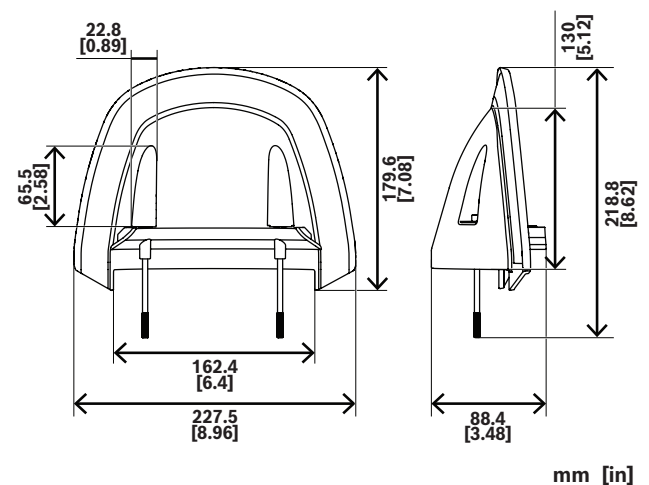
- FLEXIDOME 8100i IR
- FLEXIDOME 8100i IR — X series

Regulatory information

Environmental	
Salt mist	IEC60068-2-52
Vibration	IEC60068-2-6, NEMA TS2
Shock	IEC60068-2-27, NEMA TS2
Impact	IK10

- ▶ Corrosion-resistant finish
- ▶ Easy installation
- ▶ Protects against rain, dirt and sun
- ▶ Stylish and robust design allowing use in all environments

Installation/configuration notes



Dimensions in mm (inch)

Parts included

Quantity	Component
1	On-camera weather protector
2	M5 x 94 mm socket head Torx (security) screw with Zinc coating
2	∅ 5.3 mm flat washer with zinc coating
1	Quick Installation Guide

Technical specifications

Mechanical

Dimensions (H x W x D) (mm)	179.60 mm x 227.5 mm x 88.4 mm
Dimensions (H x W x D) (in)	7.08 in x 8.96 in x 3.48 in
Weight (g)	170 g
Weight (lb)	0.37 lb
Color (RAL)	RAL 9003 Signal white
Material	Steel; Polycarbonate
Mounting type	Wall-mounted

Ordering information

NDA-8000-WPIR On-camera weather protector IR

On camera weather protector for FLEXIDOME 8100i IR cameras

Order number **NDA-8000-WPIR**



<https://www.boschsecurity.com>