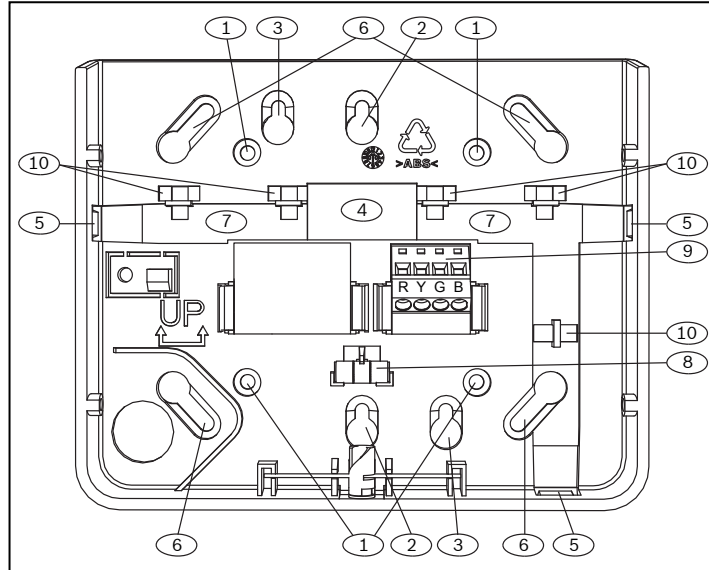


## 1 | Overview

This keypad is SDI2 compatible. Multiple keypads can be connected to the control panel by wiring them in parallel.



### Callout – Description

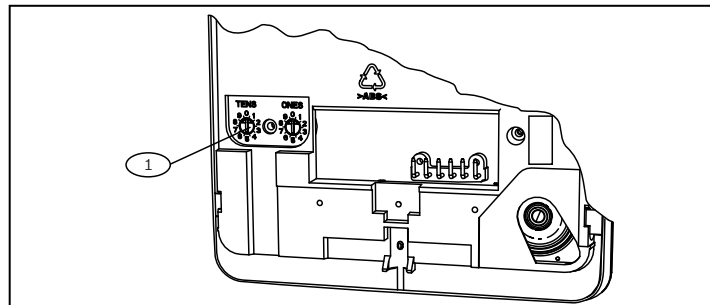
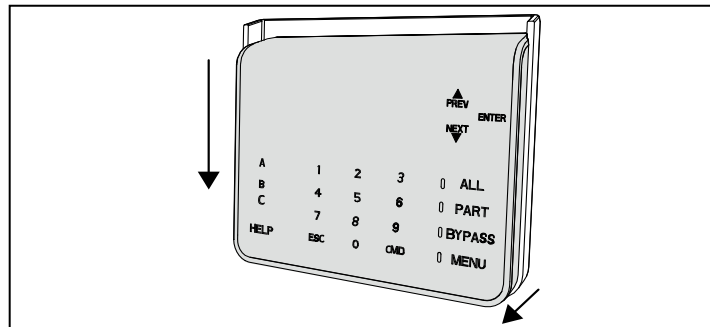
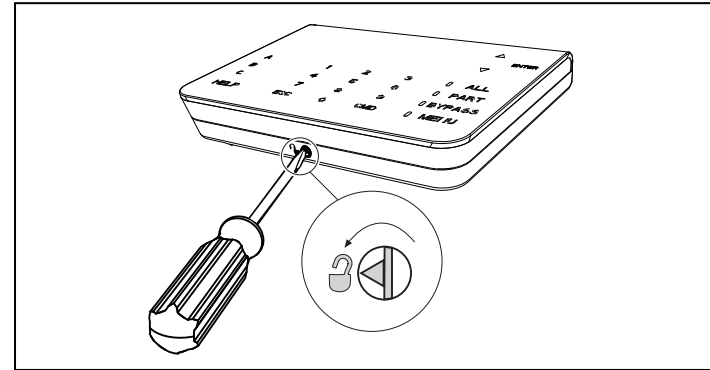
- 1 – Wall mount holes
- 2 – Single gang box holes
- 3 – Double gang box holes
- 4 – Wire opening
- 5 – Surface mount wire openings
- 6 – Gang box holes (3-4 in)
- 7 – Surface mount wire channel
- 8 – Bubble level
- 9 – SDI2 wiring terminal block
- 10 – Wire tie posts

## 2 | SDI2 address switches

Two switches determine the address for the keypad. The control panel uses the address for communications. To set the switches, use a slotted screwdriver.

## 2.1 | Access the address switches

1. Use a slotted screwdriver. Turn the lock counter-clockwise.
2. Push down on the keypad to remove it from the base.
3. Find the switches on the back of the keypad. Refer to the following illustrations.

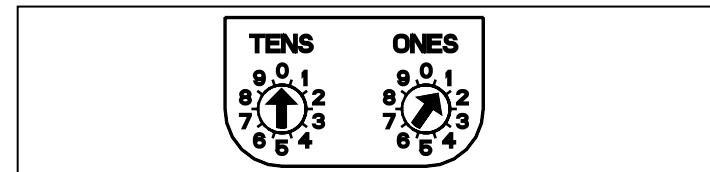


### Callout – Description

- 1 – Address switches

## 2.2 | Setting the address switches

Set the address switches per the control panel configuration. If multiple SDI2 keypads reside on the same system, each SDI2 keypad must have a unique address. For single-digit addresses 1 through 9, set the tens switch to 0. The following illustration shows the address switch setting for address 1.



## 3 | Installing



### Caution!

Remove all power (AC and battery) before making any connections. Failure to do so might result in personal injury and/or equipment damage.

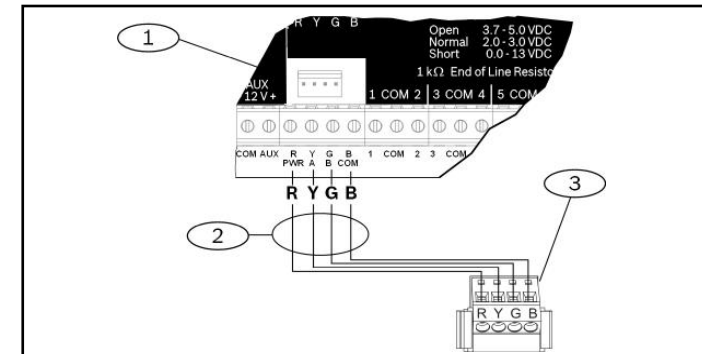
### 3.1 | Installing the keypad

You can surface install the keypad, or install it to standard electrical boxes, including single gang boxes.

1. Use the base as a template to mark surface.
2. Pull the wiring through the opening in the base.
3. Use the mounting hardware to attach.

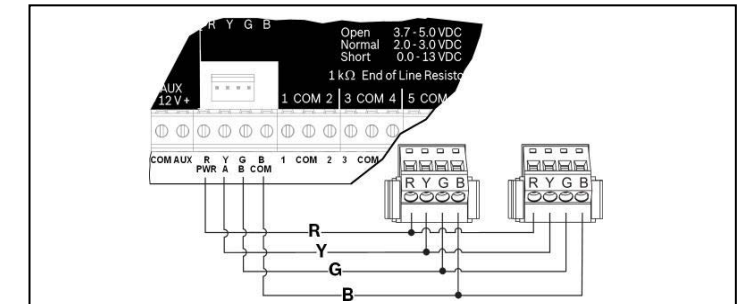
### 3.2 | Attaching to the control panel

Use the control panel terminals labeled R, Y, G, B (PWR, A, B, COM). Connect them to the keypad terminals labeled R, Y, G, B. Keypads can be wired directly to the control panel or from keypad to keypad.



### Callout – Description

- 1 – Control panel
- 2 – Terminal wiring
- 3 – Keypad's wiring terminal block



Reconnect the keypad to the base by sliding the keypad onto the base (reverse of Step 2). Apply power to the system.

## 4 | Display

Adjusting brightness:

1. Push [MENU] to open.
2. Push [NEXT] to go to the Press 5 for Settings Menu option, or press [5].
3. Push [NEXT] to go to the Press 4 for Keypad Config option, or press [4].
4. Push [1] to adjust the brightness.
5. Push [PREV] or [NEXT] to adjust the brightness. The changes apply immediately.
6. Push [ESC] to exit.

Adjusting nightlight (for control panels with version 2.01 or higher):

1. Push [MENU] to open.
2. Push [NEXT] to go to the Press 5 for Settings Menu option, or press [5].
3. Push [NEXT] to go to the Press 4 for Keypad Config option, or press [4].
4. Push [NEXT] to go to the Press 4 for Nightlight option, or press [4].
5. Push [PREV] or [NEXT] to toggle between Yes and No.
6. Push [ENTER] while viewing the option to save the programming.
7. Push [ESC] to exit.

## 5 | Status indicators

Status indicator	Function
	Ready to turn on (arm)
	Turned on (armed)
	System trouble
GAS	Gas alarm
	AC power present

## 6 | Audible tones

The keypad has a built-in speaker that produces several distinct warning tones.

Tone	Description
Fire alarm	Emits a pulsed, high-pitched bell tone.
Gas alarm	Emits a unique high pitched tone.
User alarm	The tone sounds for the programmed amount of time.
Burglary alarm	Emits a steady, high pitched bell tone.
Entry delay	Emits an intermittent beep tone during entry delay periods.
Exit delay	Emits an intermittent beep tone during exit delay.
Invalid button buzz	Emits a flat buzz tone.
Keypress	Emits a muted beep tone.
Trouble	Emits a two-tone warble until you enter a programmed passcode.
Watch point fault	Emits a single clean tweedle tone.

## 7 | Supervision

The control panel supervises all SDI2 devices. Any device that fails to respond will be declared missing.

## 8 | Showing the firmware version

- To remove power to the keypad, remove it from the base.
- Return the keypad to the base to restore power. The keypad shows the model number, keypad address, and firmware version for 10 seconds.



### NOTICE!

You can also view a keypad's firmware version in RPS.

## 9 | Keypad cleaning

Use a soft cloth or a non-abrasive cleaning solution. Spray the cleaner onto the cloth, not the keypad.

## 10 | Certifications

Region	Certification
US	UL 365 - Police Station Connected Burglar Alarm Units and Systems
	UL 609 - Local Burglar Alarm Units and Systems
	UL 985 - Household Fire Warning System Units
	UL 1023 - Household Burglar-Alarm System Units
	UL 1076 - Proprietary Burglar Alarm Units and Systems
	UL 1610 - Central Station Burglar Alarm Units
CA	CSFM - California Office of The State Fire Marshal
	FCC Part 15 Class B
	Canada CAN/ULC S303 - Local Burglar Alarm Units and Systems
	CAN/ULC S304 - Signal Receiving Centre and Premise Alarm Control Units
	CAN/ULC S559 - Fire Signal Receiving Centres and Systems
	ULC-ORD C1023 - Household Burglar Alarm System Units
ULC-ORD C1076 - Proprietary Burglar Alarm Units and Systems	
ICES-003 - Digital Apparatus	

## 11 | Specifications

Dimensions	6.2 in x 4.7 in x 1 in (158 mm x 120 mm x 26 mm)
Voltage (input)	12 VDC nominal
Current	35 mA in standby mode 70 mA in alarm mode
Operating temperature	0°C to +50°C (+32°F to +122°F)
Relative humidity	5% to 93% at +32°C (+90°F) non-condensing
Terminal wire size	12 AWG to 22 AWG (2 mm to 65 mm)
SDI2 wiring	Maximum distance - wire size (unshielded wire only): 1000 ft (305 m) - 22 AWG (0.65 mm)
Compatibility	B9512G/B9512G-E B8512G/B8512G-E B6512/B5512/B4512/B3512 D9412GV4 version 2.0 and higher D7412GV4 version 2.0 and higher (Refer to the control panel installation document for number of supported devices.)

El-gr: Μεταβείτε στη διεύθυνση <https://gr.boschsecurity.com/el/> για την τεκμηρίωση σε αυτήν τη γλώσσα.

Es-es: Visite <https://es.boschsecurity.com/es/> para obtener documentación en este idioma.

Fr-fr: Accédez à l'adresse <https://fr.boschsecurity.com/fr/> pour obtenir la documentation dans cette langue.

Hu-hu: A honosított dokumentációt lásd a <https://hu.boschsecurity.com/hu/oldalon>.

It-it: Andare a <https://it.boschsecurity.com/it/> per la documentazione in questa lingua.

Pl-pl: Dokumentacja w tym języku znajduje się w witrynie <https://pl.boschsecurity.com/pl/>

Pt-br: Acesse <http://pt.boschsecurity.com/pt/> para obter a documentação neste idioma.

### Copyright

This document is the intellectual property of Bosch Security Systems, Inc. and is protected by copyright. All rights reserved.

### Trademarks

All hardware and software product names used in this document are likely to be registered trademarks and must be treated accordingly.

### Bosch Security Systems, Inc. product manufacturing dates

Use the serial number located on the product label and refer to the Bosch Security Systems, Inc. website at <http://www.boschsecurity.com/datecodes/>.



## Two-line Alphanumeric Keypad B920



en Installation Guide

**Bosch Security Systems, Inc.**  
130 Perinton Parkway  
Fairport, NY 14450  
USA  
[www.boschsecurity.com](http://www.boschsecurity.com)

**Bosch Sicherheitssysteme GmbH**  
Robert-Bosch-Ring 5  
85630 Grasbrunn  
Germany

